

KEY BENEFITS

- Full-port brass body for low restriction flow
- Blow-out proof stem for safety
- All forged construction for better durability

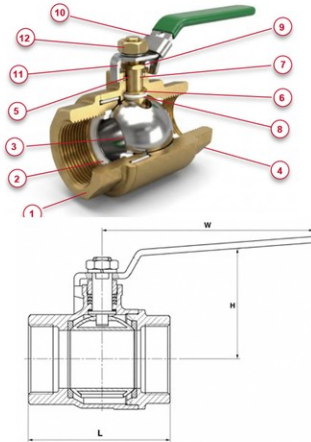


TWO-PIECE 600 PSI FULL PORT THREADED BALL VALVE

OVERVIEW

The Apache BFT600 Series is a two-piece full-port threaded brass ball valve for general industrial and commercial service. Forged brass construction, PTFE seats and packing, and a blow-out proof stem provide dependable shutoff performance in a compact valve body.

DIMENSIONAL DATA

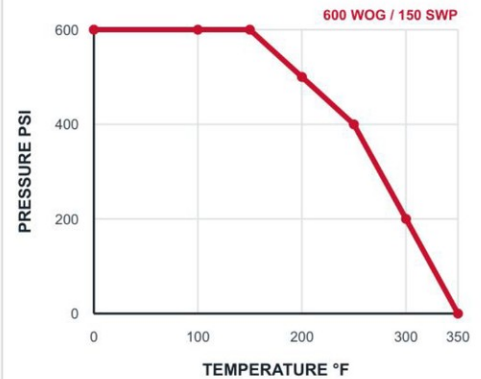


DIMENSIONS IN INCHES

PART #	NPT	L	W	H
BFT6C0250F	1/4"	1.79	3.07	1.46
BFT6C0375F	3/8"	1.79	3.07	1.46
BFT6C0500F	1/2"	2.09	3.26	1.46
BFT6C0750F	3/4"	2.39	3.28	2.06
BFT6C1000F	1"	2.72	4.72	2.31
BFT6C1250F	1-1/4"	3.28	5.80	2.99
BFT6C1500F	1-1/2"	3.30	5.95	3.15
BFT6C2000F	2"	4.65	7.87	3.54
BFT6C2000H	2" HD	4.72	7.87	3.54
BFT6C2500F	2-1/2"	5.51	8.31	4.82
BFT6C3000F	3"	6.38	8.31	5.24
BFT6C4000F	4"	7.44	10.23	6.14

L = end-to-end length • W = handle width • H = installed height

PRESSURE / TEMPERATURE RATING



MATERIALS / CONSTRUCTION

NO.	PART	MATERIAL
1	Cap	Forged Brass
2	Seat	PTFE
3	Ball	Brass, Chrome Plated
4	Body	Forged Brass
5	Stem	Forged Brass
6	Washer	PTFE
7	Packing	PTFE
8	Packing	PTFE
9	Gland Nut	Brass
10	Handle	Steel, Zinc Plated
11	Retainer	Steel, Zinc Plated
12	Stem Nut	Steel, Zinc Plated

STANDARDS & OPTIONS

Pressure Rating	600 WOG, 150 SWP
Body	Forged brass body and cap
Port	Full port
Valve Style	Two-piece threaded ball valve
Seats / Packing	PTFE seats, washer, and packing
Threads	ANSI B1.20.1, BS21, DIN 259/2999
Application	Not intended for potable water

QUALITY. INTEGRITY. RELIABILITY.

Engineered solutions for demanding environments.

www.apachemfg.com

GREATER HOUSTON

8809 Bailey Rd
Manvel, TX 77578
(713) 941-1669

ODESSA

2650 West Remington Rd
Odessa, TX 79763
(432) 385-7470