

KEY BENEFITS

- Class 2500 / 6000 WOG rating
- Fire safe API 607 design
- NACE MR-0175 compliant

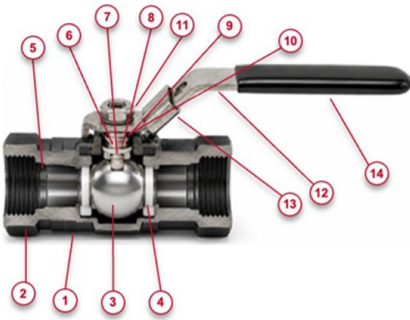
TWO-PIECE CLASS 2500 FULL PORT* THREADED BALL VALVE

OVERVIEW

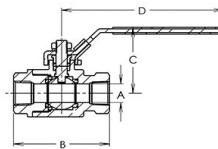
The Apache CFT6M Series is a two-piece Class 2500 threaded ball valve for industrial and commercial applications. This series features cast steel body construction, floating ball design, fire safe API 607 compliance, ISO 5211 mounting pad, blow-out proof stem, locking handle, and NACE MR-0175 compliance.



DIMENSIONAL DATA

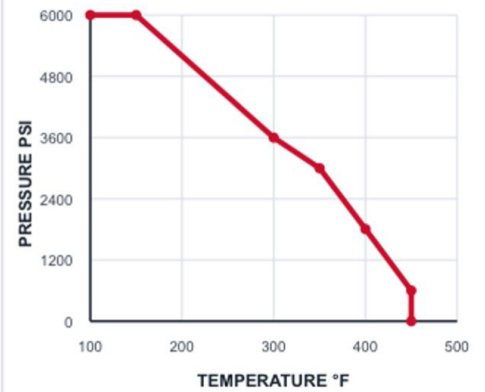


SKU	NPT	A	B	C	D
CFT6M0250F	1/4"	0.25	3.00	2.22	5.00
CFT6M0500F	1/2"	0.50	4.00	2.22	5.00
CFT6M0750F	3/4"	0.75	4.30	2.89	5.83
CFT6M1000F	1"	1.00	4.80	3.50	8.19
CFT6M1500F	1-1/2"	1.50	5.30	4.34	10.16
CFT6M2000R	2"	1.50	6.30	4.34	10.16



NOTE:
Dimensions in inches. * 2" available in standard port only.

PRESSURE / TEMPERATURE RATING



MATERIALS / CONSTRUCTION

#	COMPONENT	MATERIAL / SPECIFICATION
1	Body	WCB
2	Cap	WCB
3	Ball	CF8M
4	Seat	PEEK
5	Joint Gasket	GRAPHITE
6	Stem	SS316 OR 17-4 (1-1/2", 2")
7	Thrust Washer	PEEK
8	Stem Packing	GRAPHITE
9	Gland Nut	AISI 304
10	Spring Washer	AISI 304
11	Stem Nut	AISI 304
12	Handle	AISI 304
13	Locking Device	AISI 304
14	Handle Sleeve	PVC

STANDARDS & OPTIONS

Pressure Rating	ASME B16.34 Class 2500, 6000 WOG
Body	Cast steel body, floating ball
Port	Full port; 2" available in standard port only
Valve Style	Two-piece threaded ball valve
Fire Safe	API 607
Stem	Blow-out proof stem
Mounting	ISO 5211 mounting pad
Handle	Locking handle
Threads	ANSI B1.20.1, BS21, DIN 259/2999
Compliance	NACE MR-0175 compliant

QUALITY. INTEGRITY. RELIABILITY.

Engineered solutions for demanding environments.

www.apachemfg.com

GREATER HOUSTON

8809 Bailey Rd
Manvel, TX 77578
(713) 941-1669

ODESSA

2650 West Remington Rd
Odessa, TX 79763
(432) 385-7470