

### KEY BENEFITS

- 316 stainless body
- Blow-out proof stem for safety
- NACE MR-0175 compliant

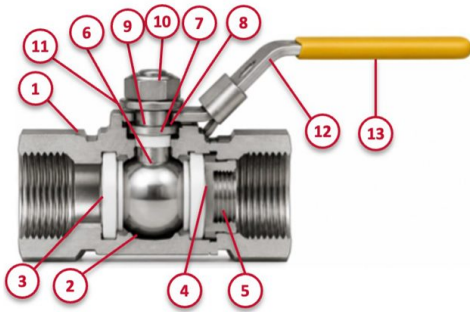
## ONE-PIECE 1000 PSI REDUCED PORT THREADED BALL VALVE



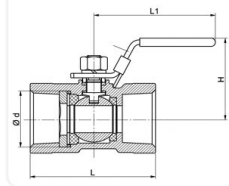
### OVERVIEW

The Apache SRT1M Series is a one-piece 1000 PSI reduced-port threaded ball valve for industrial and commercial applications. This series features 316 stainless body construction, floating ball design, blow-out proof stem, locking handle, and NACE MR-0175 compliance.

### DIMENSIONAL DATA

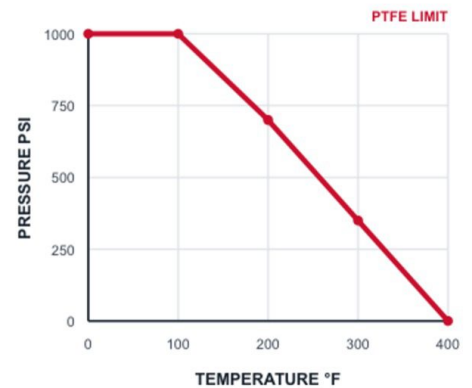


SKU	NPT	d	L	L <sub>1</sub>	H
SRT1M0250R	1/4"	0.20	1.57	2.76	1.34
SRT1M0375R	3/8"	0.28	1.77	2.76	1.42
SRT1M0500R	1/2"	0.35	2.17	3.54	1.54
SRT1M0750R	3/4"	0.47	2.36	3.54	1.69
SRT1M1000R	1"	0.59	2.76	4.13	1.81
SRT1M1250R	1-1/4"	0.79	3.15	4.72	2.09
SRT1M1500R	1-1/2"	0.98	3.39	5.12	2.32
SRT1M2000R	2"	1.26	4.02	5.51	2.56



**NOTE:**  
Dimensions in inches. Reduced-port threaded ball valve.

### PRESSURE / TEMPERATURE RATING



### MATERIALS / CONSTRUCTION

#	COMPONENT	MATERIAL / SPECIFICATION
1	Body	CF8M
2	Ball	CF8M
3	Seat	PTFE
4	Joint Gasket	PTFE
5	Nut	AISI 304
6	Stem	CF8M
7	Stem Washer	PTFE
8	Packing	PTFE
9	Gland Nut	AISI 304
10	Stem Nut	AISI 304
11	Spring Washer	AISI 304
12	Handle	AISI 304
13	Handle Sleeve	PVC

### STANDARDS & OPTIONS

<b>Pressure Rating</b>	1000 PSI
<b>Body</b>	316 stainless body
<b>Port</b>	Reduced port
<b>Valve Style</b>	One-piece threaded ball valve
<b>Ball</b>	Floating ball
<b>Stem</b>	Blow-out proof stem
<b>Handle</b>	Locking handle
<b>Threads</b>	ANSI B1.20.1, BS21, DIN 259/2999
<b>Compliance</b>	NACE MR-0175 compliant

**QUALITY. INTEGRITY. RELIABILITY.**

Engineered solutions for demanding environments.

[www.apachemfg.com](http://www.apachemfg.com)

#### GREATER HOUSTON

8809 Bailey Rd  
Manvel, TX 77578  
(713) 941-1669

#### ODESSA

2650 West Remington Rd  
Odessa, TX 79763  
(432) 385-7470