

CSCV SERIES

CARBON STEEL SWING CHECK VALVE

KEY BENEFITS

- 5000 WOG working pressure
- A216 WCB cast steel body
- 304SS disc · bolted-bonnet swing check

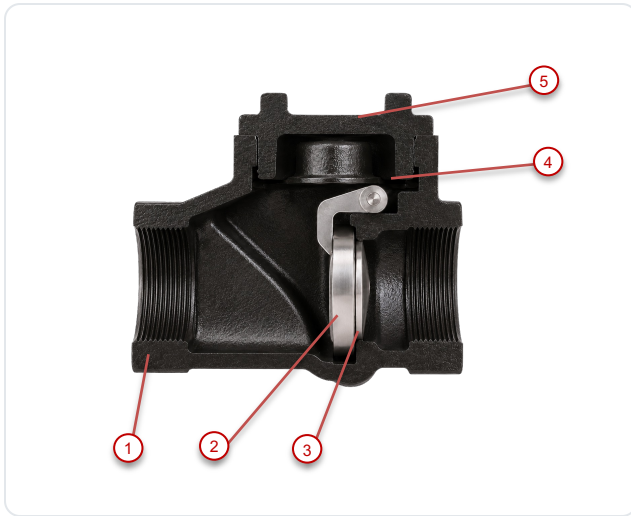


CARBON STEEL SWING CHECK VALVE

OVERVIEW

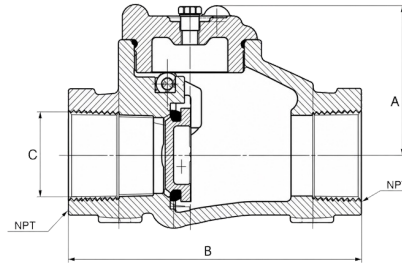
The Apache CSCV Series is a cast carbon steel swing check valve for higher-pressure reverse-flow prevention. The A216 WCB body carries a 304 stainless disc and is rated to 5000 WOG, with threaded end connections in 1" through 3" sizes.

DIMENSIONAL DATA



Part #	NPT	WP (PSI)	A	B	C
CSCV5M1	1"	5000	3.03	4.72	1.00
CSCV5M2	2"	5000	3.94	6.30	2.01
CSCV5M3	3"	5000	5.20	8.25	3.07

Dimensions in inches. B = end-to-end length; A and C per the cross-section drawing.



MATERIALS / CONSTRUCTION

#	COMPONENT	MATERIAL
1	Body	A216 WCB
2	Disc	304SS
3	O-Ring	Viton
4	Gasket	Buna-N
5	Bonnet	A216 WCB

STANDARDS & OPTIONS

Pressure Rating	5000 WOG
Body	A216 WCB cast carbon steel
Valve Style	Bolted-bonnet swing check
Disc	304 stainless steel
Threads	ANSI B1.20.1, BS21, DN 259/2999
Compliance	NACE MR-0175 compliant

QUALITY. INTEGRITY. RELIABILITY.

Engineered solutions for demanding environments.

 www.apachemfg.com

GREATER HOUSTON

8809 Bailey Rd
Manvel, TX 77578
(713) 941-1669

ODESSA

2650 West Remington Rd
Odessa, TX 79763
(432) 385-7470