

KEY BENEFITS

- 300 – 2000 WOG ratings
- A395 ductile iron body & bonnet
- 304SS disc · bolted-bonnet swing check

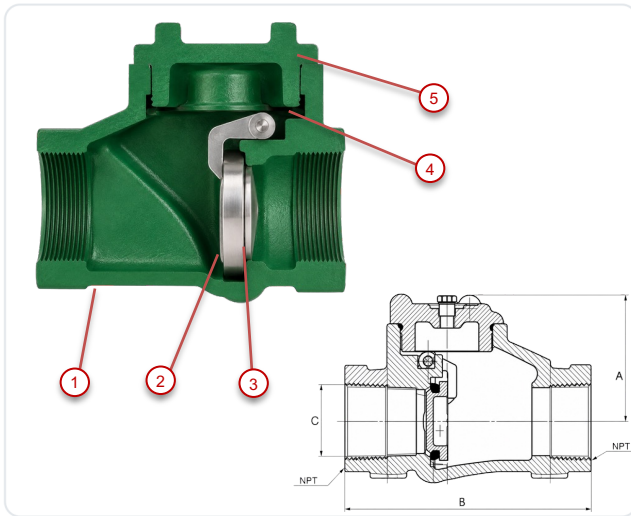


DUCTILE IRON SWING CHECK VALVE

OVERVIEW

The Apache DICV Series is a ductile iron swing check valve for dependable reverse-flow prevention in general oilfield and industrial service. The A395 ductile iron body carries a 304 stainless disc and is offered from 300 to 2000 WOG, with threaded end connections.

DIMENSIONAL DATA



Part #	NPT	WP (PSI)	A	B	C
DICV2M1	1"	2000	3.03	4.72	1.00
DICV3C2	2"	300	3.94	6.30	2.01
DICV6C2	2"	600	3.94	6.30	2.01
DICV1M2	2"	1000	3.94	6.30	2.01
DICV2M2	2"	2000	3.94	6.30	2.01
DICV3C3	3"	300	5.20	8.25	3.07
DICV2M3	3"	2000	5.20	8.25	3.07
DICV2M4	4"	2000	7.68	10.00	4.00

Dimensions in inches. B = end-to-end length; A and C per the cross-section drawing. Sizes 2" and 3" share a body across multiple WOG ratings.

MATERIALS / CONSTRUCTION

#	COMPONENT	MATERIAL
1	Body	A395 Ductile Iron
2	Disc	304SS
3	O-Ring	Viton
4	Gasket	Buna-N
5	Bonnet	A395 Ductile Iron

STANDARDS & OPTIONS

Pressure Rating	300 / 600 / 1000 / 2000 WOG
Body	A395 ductile iron body & bonnet
Valve Style	Bolted-bonnet swing check
Disc	304 stainless steel
Threads	ANSI B1.20.1, BS21, DN 259/2999
Compliance	NACE MR-0175 compliant

QUALITY. INTEGRITY. RELIABILITY.

Engineered solutions for demanding environments.

 www.apachemfg.com



GREATER HOUSTON
8809 Bailey Rd
Manvel, TX 77578
(713) 941-1669



ODESSA
2650 West Remington Rd
Odessa, TX 79763
(432) 385-7470