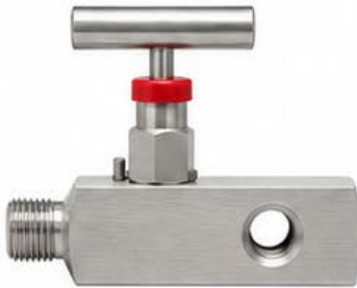


MP10 SERIES

10000 PSI MULTIPOINT NEEDLE VALVE

KEY BENEFITS

- 2 x 1/2" NPT ports
- Optional plug & bleed set
- Metal seats

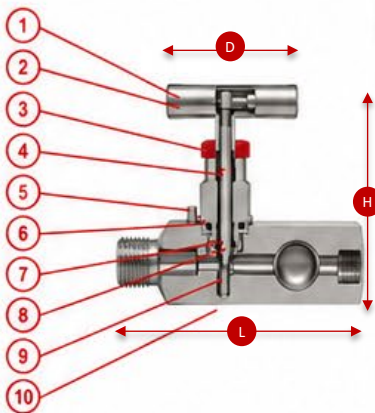


10000 PSI MULTIPOINT NEEDLE VALVE

OVERVIEW

The Apache MP10 Series is a high-pressure multiport needle valve for demanding isolation, instrument, and bleed applications. The globe-style metal-seat design supports 10000 PSI CWP service while retaining auxiliary 1/2 inch port access for plug-and-bleed configurations.

DIMENSIONAL DATA



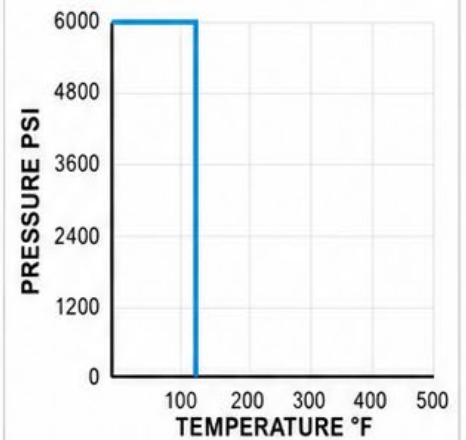
SKU	Material	Inlet	Outlet	L	D	H
CMPO5M05F10	CARBON STEEL	1/2" MNPT	1/2" FNPT	4.47	2.37	2.65
SMP05M05F10	STAINLESS STEEL	1/2" MNPT	1/2" FNPT	4.47	2.37	2.65

NOTE:

Bleed and plug set is sold separately



PRESSURE / TEMPERATURE RATING



MATERIALS / CONSTRUCTION

#	COMPONENT	CARBON	STAINLESS
1	Tee Handle	AISI 1045+ZINC PL	A182 F6a
2	Handle Nut	410SS	410SS
3	Dust Cap	NBR (RED)	NBR (RED)
4	Stem	316SS	316SS
5	Bonnet Pin	304SS	304SS
6	Bonnet	AISI 1045+ZINC PL	316SS
7	O-ring	VITON	VITON
8	O-ring	VITON	VITON
9	Seat	Metal	Metal
10	Body	AISI 1045+ZINC PL	316SS

STANDARDS & OPTIONS

Pressure Rating	10000 PSI CWP
Body	Carbon steel or stainless body
Valve Style	Globe-style multiport needle valve
Connections	MNPT x FNPT
Ports	2 x 1/2" NPT ports
Option	Optional plug & bleed set

QUALITY. INTEGRITY. RELIABILITY.

Engineered solutions for demanding environments.

www.apachemfg.com

GREATER HOUSTON

8809 Bailey Rd
Manvel, TX 77578
(713) 941-1669

ODESSA

2650 West Remington Rd
Odessa, TX 79763
(432) 385-7470